

Model CLSM-100LA **Closed Loop Hall Effect**

Description

The Model CLSM-100LA is a closed loop Hall effect current sensor that accurately measures DC and AC currents and provides electrical isolation between the current carrying conductor and the output of the sensor.

Features

- Low Cost
- Fast response
- High overload capacity
- Moistureproof, Shockproof
- Noncontact measurement of high current
- Measures DC, AC and impulse currents

Applications

- Variable speed drives for motors
- Welding Equipment
- Power Supply Equipment
- Measure and control system
- Over current protection
- Protection of power semiconductors



Electrical Specifications

CLSM-100LA

Nominal current (I _N)	±100 A
Current range	0 to ±200 A
Nominal output current (I _M)	50 mA
Turns Ratio	2000 / 1
Measuring Resistance (R _M)	0 to 100 Ω
Overall accuracy at 25°C	±0.5 % of I _N
Supply voltage (V _{dc})	±15 to ±18
Current consumption	15 mA + output current

Accuracy-Dynamic Performance

Zero current offset at 25°C	< ±0.2mA
Offset current temperature drift (0°C to +70°C) (1).....	< ±0.3mA
Linearity	better than ±0.1%
Response time	better than 0.5μs
di / dt	better than 70A/μs
Frequency range	DC to 200KHz (-3dB)

General Information

Operating temperature	-40°C to +85°C
Storage temperature	-40°C to +90°C
Package	flame retardant plastic case, UL94V-0
Isolation voltage	5kV/50Hz/min.
Output reference.....	To obtain a positive output on terminal M, input current must flow in the direction of the arrow (conventional flow)
Weight	38 grams
Mounting	Panel mount via 1 hole, 4.5mm dia.
Aperture size (mm).....	10.2 x 26

Notes:

1. Excludes Zero current offset
2. Busbar temperature should not exceed 100°C.
3. The dynamic performance is the best when the busbar fills the aperture.

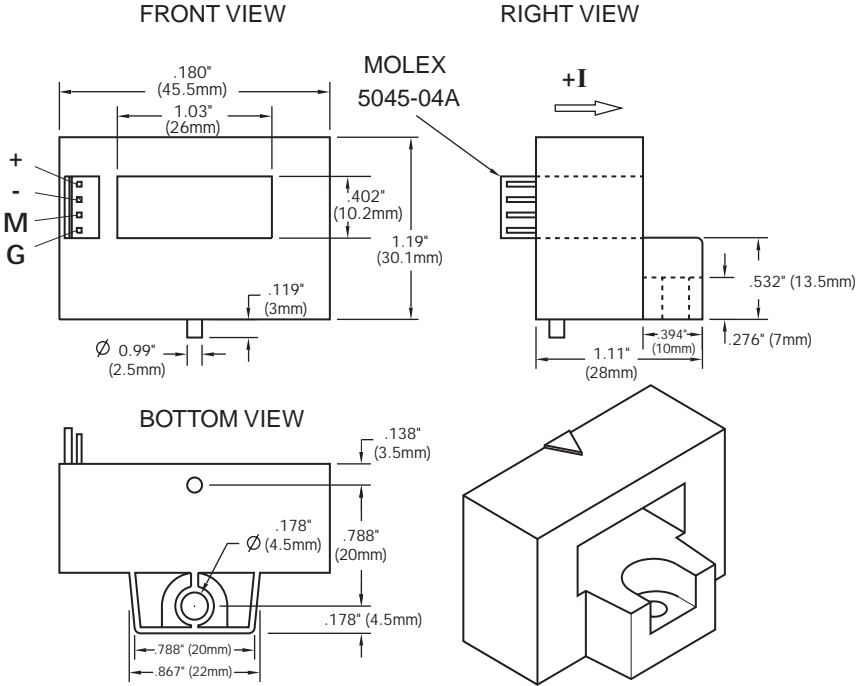


Mechanical Dimensions

All dimensions are in inches (millimeters)

Model CLSM-100LA

Mechanical Dimensions



Connection Schematic

